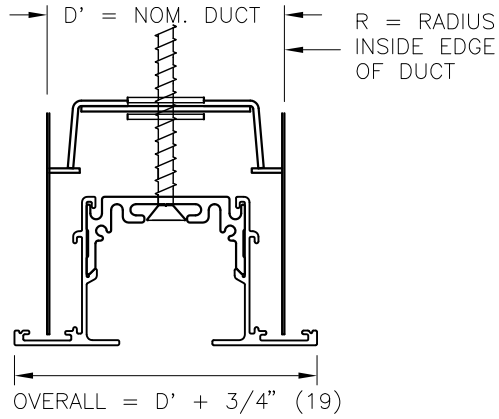
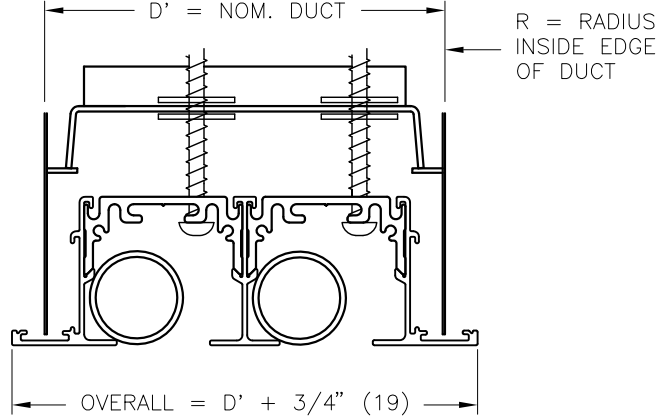


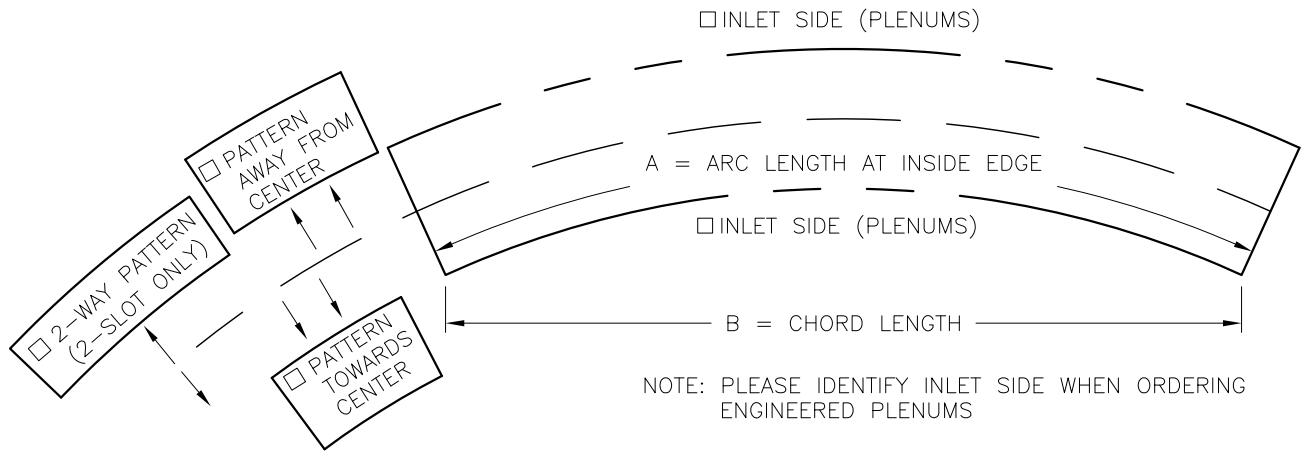
**SDSC, SDRC CURVED LINEAR SLOT DIFFUSER**



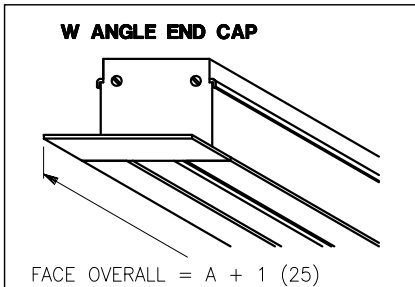
SDRC RETURN (1-SLOT SHOWN)



SDSC SUPPLY (2-SLOT SHOWN)



NOTE: PLEASE IDENTIFY INLET SIDE WHEN ORDERING ENGINEERED PLENUMS



NOTE: MINIMUM RADIUS = 72"

NO. SLOTS	MODEL	SLOT WIDTH	D'	R = RADIUS	<input type="checkbox"/> A = ARC LENGTH - OR - <input type="checkbox"/> B = CHORD LENGTH	
1	<input type="checkbox"/> SD 50	1/2 (13)	2 (51)			
	<input type="checkbox"/> SD 75	3/4 (19)	2 1/4 (57)			
	<input type="checkbox"/> SD 100	1 (25)	2 1/2 (63)			
2	<input type="checkbox"/> SD 50	1/2 (13)	3 1/4 (83)			
	<input type="checkbox"/> SD 75	3/4 (19)	3 3/4 (95)			
	<input type="checkbox"/> SD 100	1 (25)	4 1/4 (108)			

ALL METRIC DIMENSIONS ( ) ARE SOFT CONVERTED. IMPERIAL DIMENSIONS ARE CONVERTED TO METRIC AND ROUNDED TO THE NEAREST MILLIMETER.

<b>PROJECT:</b>		<b>PRICE</b> <sup>®</sup>	
<b>ENGINEER:</b>			
<b>CUSTOMER:</b>		LINEAR SLOT DIFFUSER TYPE 2 CURVED SITE DATA	
<b>SUBMITTAL DATE:</b>	<b>SPEC. SYMBOL:</b>	255593	
		2010/12/14	